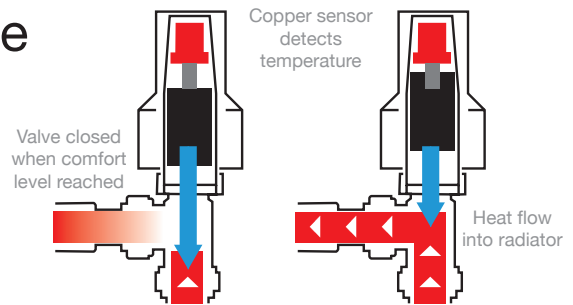
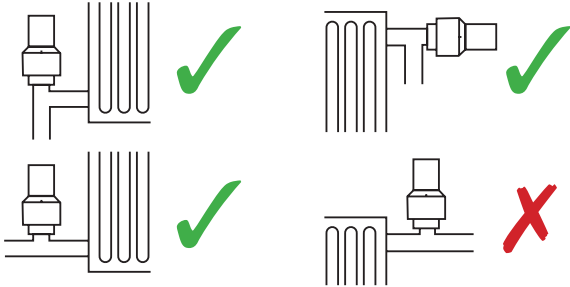


EN215 Thermostatic Radiator Valve

This TRV is designed to react to temperature fluctuations and allow you to control individual room temperature.



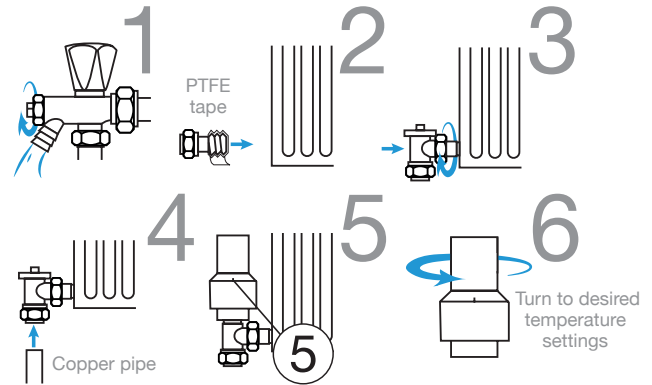
Installation instructions



Maximum performance will be achieved if the thermostatic head is not concealed or exposed to direct sunlight or draughts.

It is recommended that a differential pressure valve is fitted to any system with TRVs (other sizes available), so the differential pressure does not exceed 0.2 bar and hydronic noise is avoided.

Thoroughly clean any pipe work to be connected to valve beforehand.



The water flow through the radiator must be set to the correct level when fitting a lock shield valve.

5	4	3	2	☾	1	*	Off
- 29 - 27°C	- 25 - 24°C	- 21 - 19°C	- 17 - 15°C	- Night	- 13 - 11°C	- Frost	- Shut Off

The TRV can be turned to the frost protection setting, which opens the valve when the temperature falls below 7 °C to prevent freezing (boiler must remain in operation via frost stat).

Removal of radiator

Optional extra

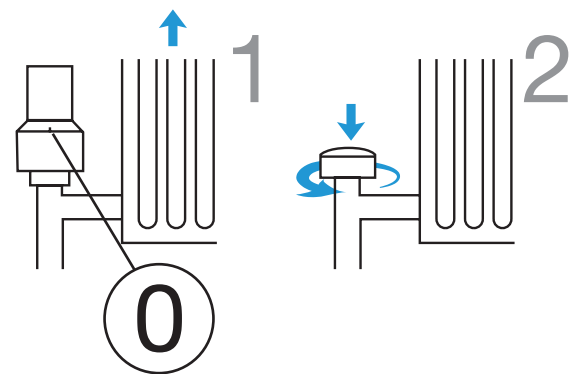
The TRV has a positive 'Off setting which will allow a radiator to be removed for maintenance. A protection cap can be ordered using code 841052 and used for extra security.

Temperature range	7°C - 28°C
Maximum test pressure	20 bar
Maximum Static Pressure	10 bar
Maximum differential pressure	0.6 bar
Maximum water flow temperature	120°C

Optional extra: Limit pin

1. To limit the head and maximum set to setting

Remove from the head and set the maximum desired. Insert the 'Locking Pin' under the base, one segment to the right of LOCK position. (A slight rotation of the head may be required to allow full insertion of the Locking Pin). The temperature has now been limited to the desired position.



2. To lock a pre-determined setting

Set to the desired locking position. Insert the 'Locking Pin' under the base, into the segment in line with the LOCK position. (A slight rotation of the head may be required to allow full insertion of the Locking Pin). The desired set temperature is now locked in place.

St. Catherine's Avenue, Doncaster, South Yorkshire DN4 8DF, England

Tel: 0800 156 0050

